





 www.ergotron.com
 USA 1-800-888-8458
Europe +31 (0)33-45 45 600
China 86-769-86018920

Table of Contents

Hazard Symbols Review	2
Components & Tools	2
Features	2
Optional Security Mount	3
Charging Set-up	4
LED and Syncing	8
Cleaning and Maintenance	10
Specifications	11
Service and Warranty Information	11

Safety Hazard Review

These symbols alert users of a safety condition that demands attention. All Tablet Management Module users should be able to recognize and understand the significance of the following Safety Hazards if encountered on the Module or within Module documentation. Children who are not able to recognize and respond appropriately to Safety Alerts should not use the Module without adult supervision!

Symbol	Signal Word	Level of Hazard
	NOTE	A NOTE indicates important information that helps you make better use of your Cart.
	CAUTION	A CAUTION indicates either potential damage to hardware or loss of data and tells you how to avoid the problem.
	WARNING	A WARNING indicates either potential for property damage, personal injury, or death.
	ELECTRICAL	An Electrical indicates an impending electrical hazard which, if not avoided, may result in personal injury, fire and/or death.

Components

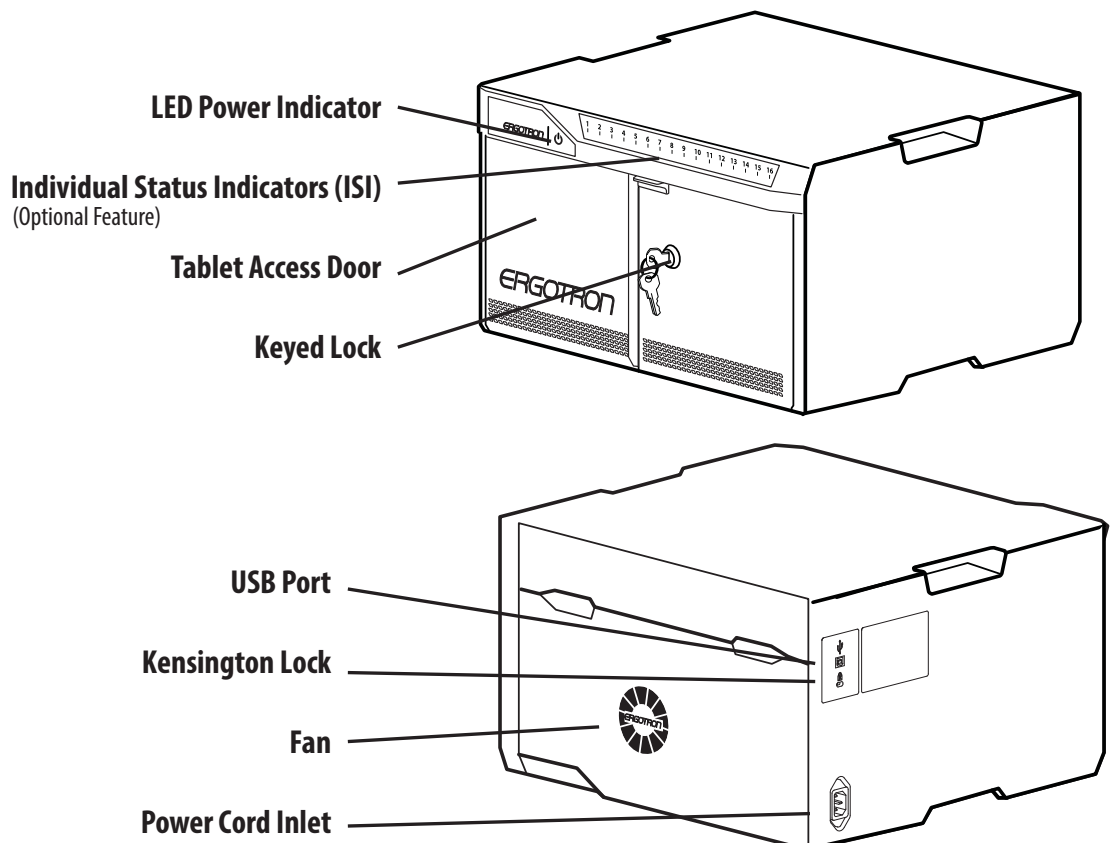
One Tablet Management Module

Security Mounting Kit: M6 security screw (Quantity 2), washer (Quantity 2), and security wrench

Tools

Electric Drill and 1/4" (6.5 mm) Drill Bit
Measuring Tool, Pencil

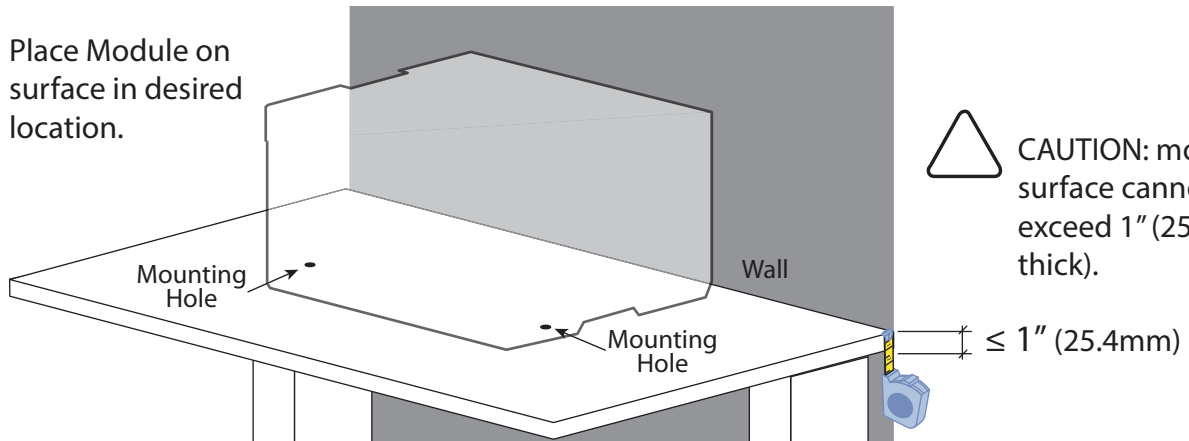
Features



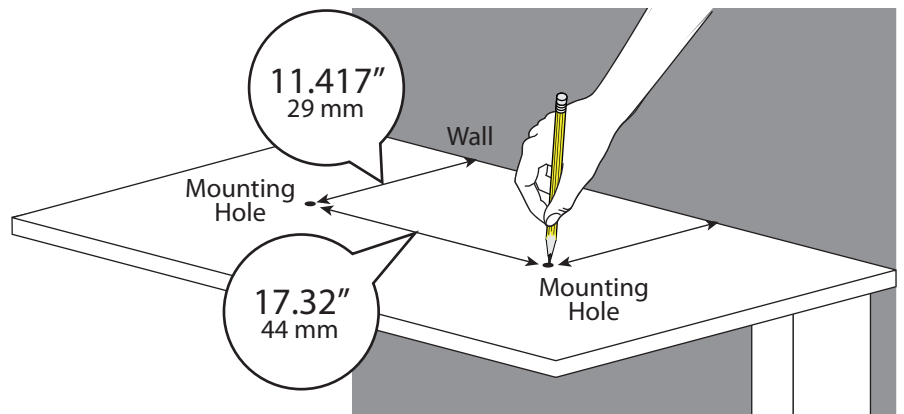
Security Mounting Kit Option

For mounting the Module to a work surface (desktop, countertop, table, etc.)

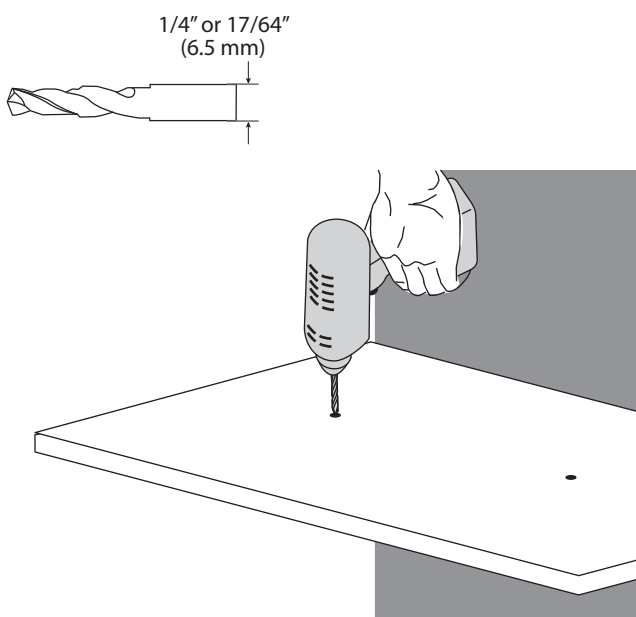
- 1 Place Module on surface in desired location.



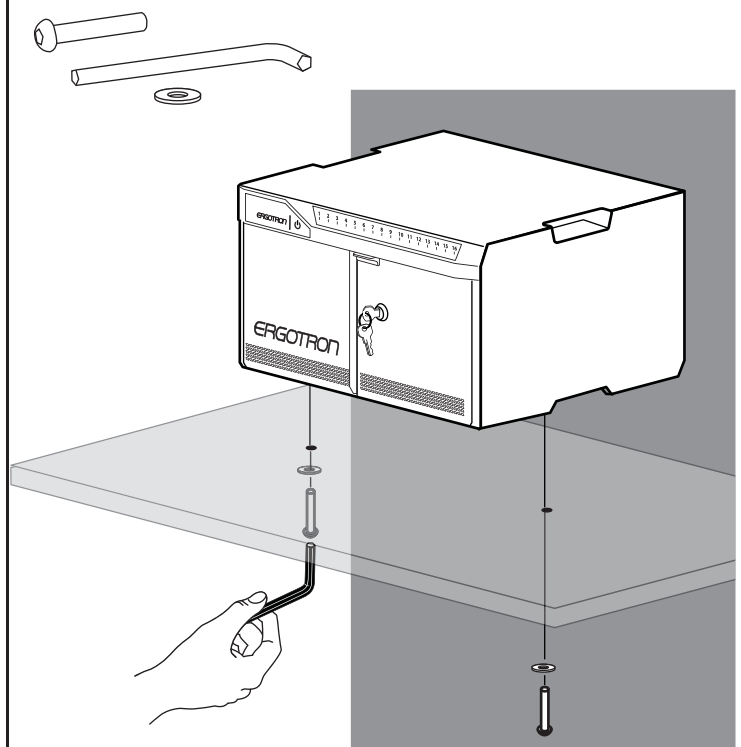
- 2 Remove the Module. Use a pencil to mark the mounting holes locations: 11.4" (29 mm) from the wall and 17.3" (44 mm) apart.



- 3 Drill two mounting holes using a 0.266 OD drill bit.

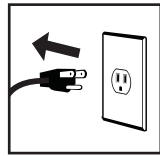


- 4 Use the security wrench to insert provided M6 screws and washers.



Charging Set-up

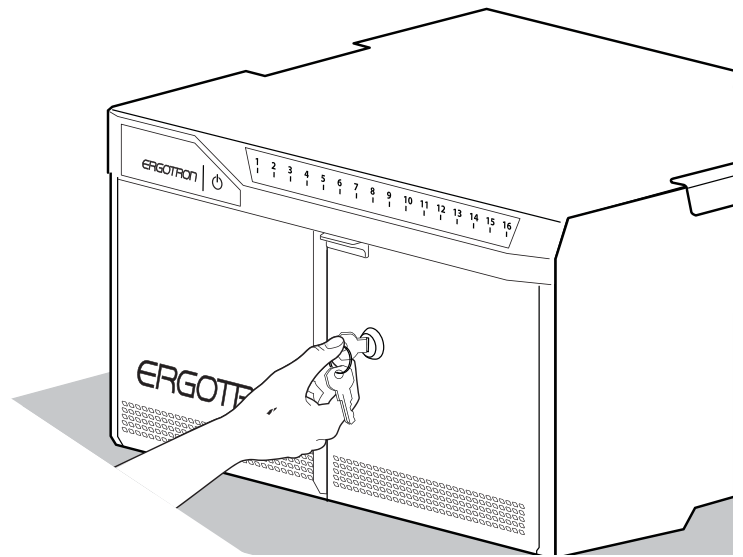
- 1 Make sure the Module power cord is disconnected from wall power supply before proceeding.



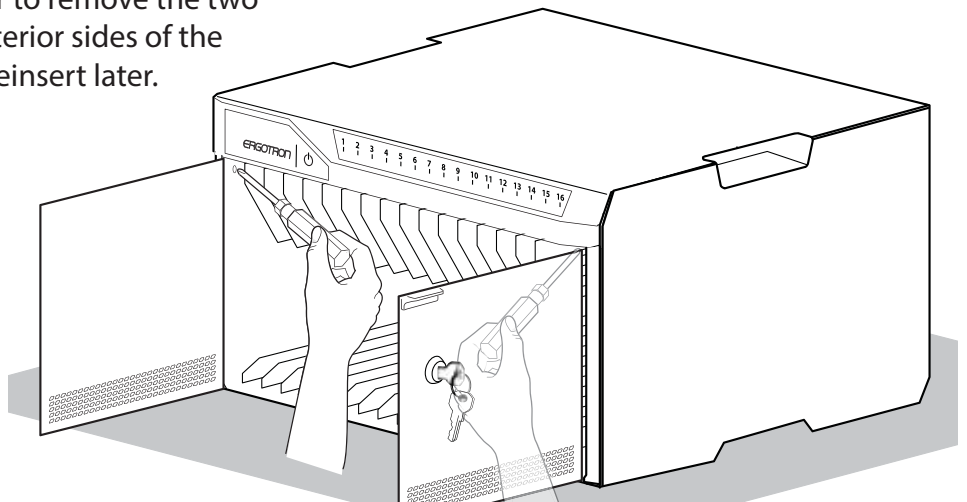
Unlock the module and open the doors.



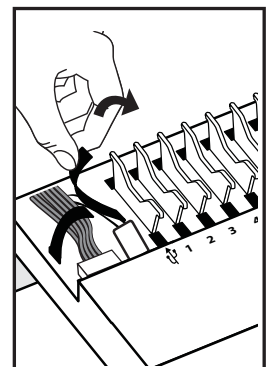
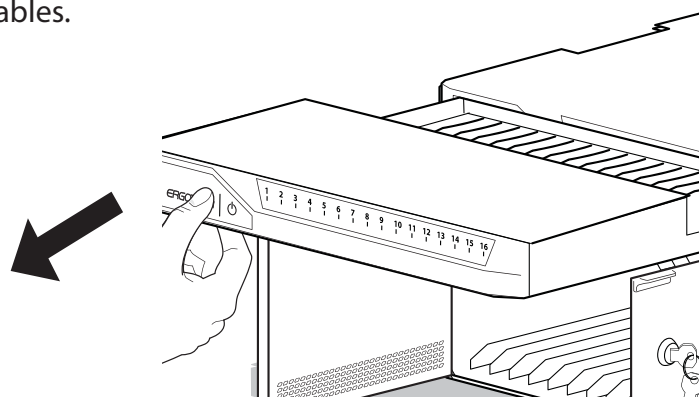
NOTE: the Module power cord acts as the connect/disconnect device switching power off and on.



- 2 Use a Phillips screwdriver to remove the two screws located on the interior sides of the module; save screws to reinsert later.

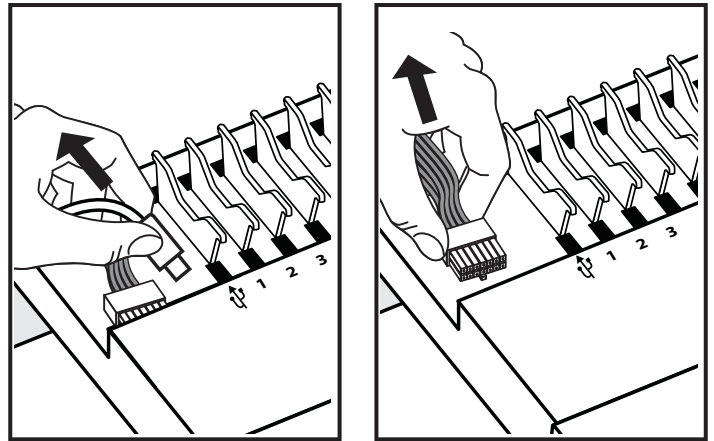


- 3 Partially slide out the module drawer. You'll need to unplug two cables before sliding the drawer completely out. Open the strap to access the two cables.



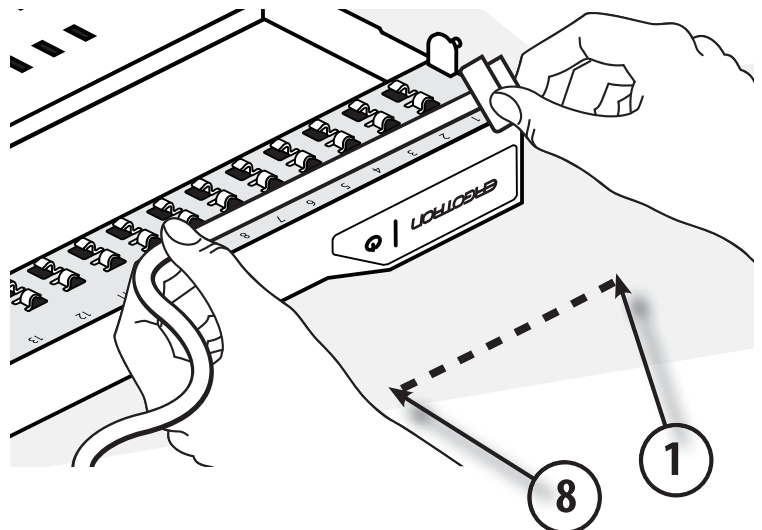
Charging Set-up

- 4** Unplug the USB and DC power cables (push up on the lever under the DC connector to release). The drawer can now be removed.

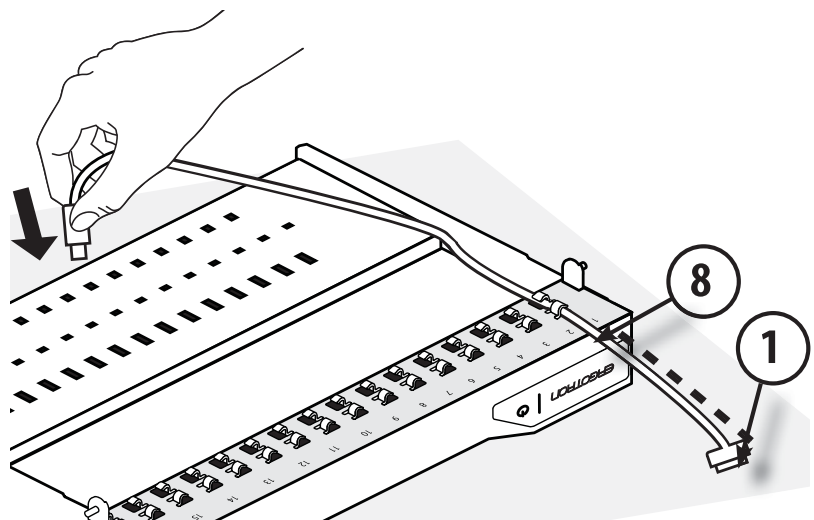


- 5** Place the drawer up-side-down on the module top. Line up a tablet USB cable along numbers 1 to 8 on the drawer as a way to measure out slack (represented by dashed line).

Both the 30 pin and Lightning cable designs are compatible with the Tablet Management Desktop unit. Please use the cable which is appropriate for your Apple device.

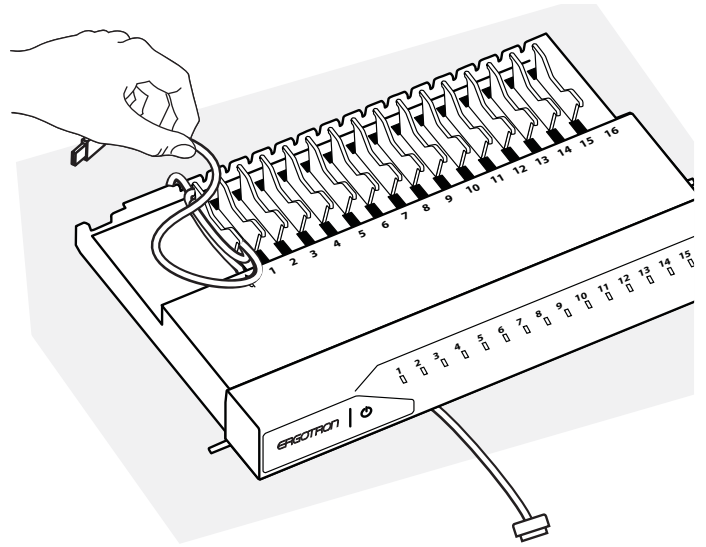


- 6** Route the tablet USB cable through the slots to the back of the drawer maintaining the slack measured in previous step.

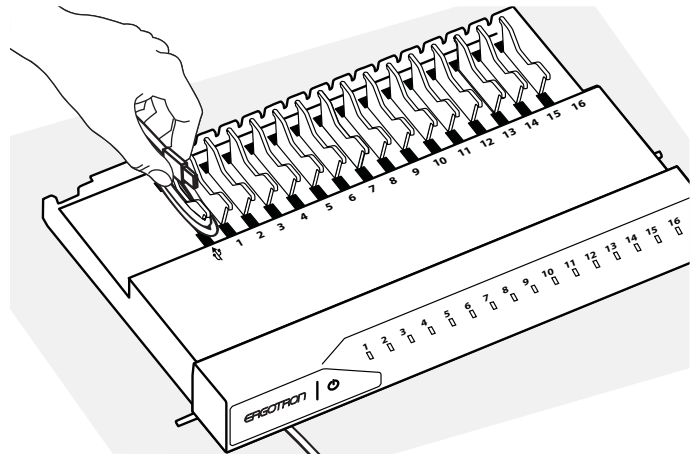


Charging Set-up

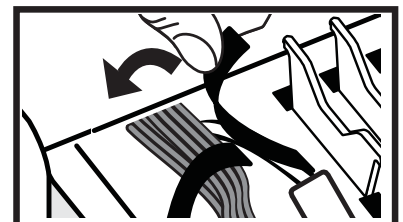
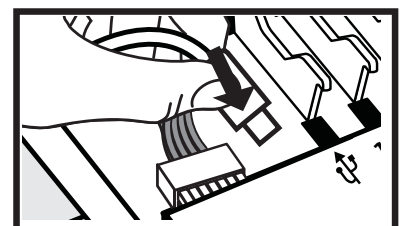
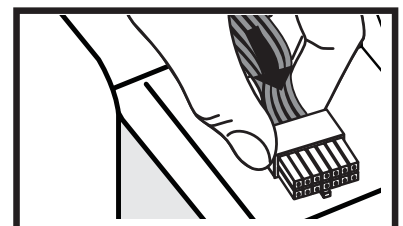
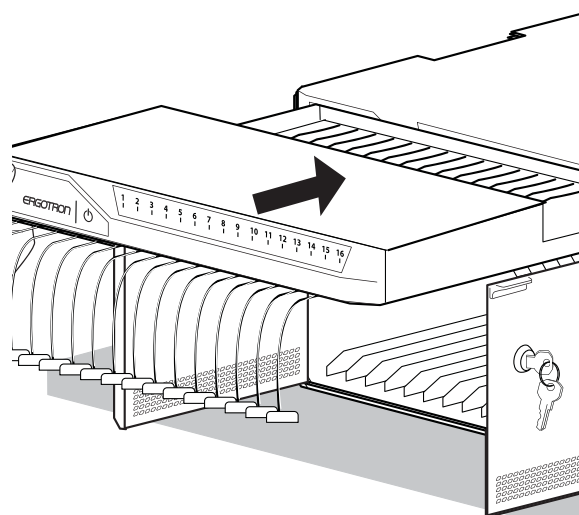
- 7** Turn over the drawer. Wrap the excess USB cable around the cable organizer.



- 8** Connect the USB cable to the corresponding USB port. Repeat USB cabling steps 5 through 8 for the rest of the iPad devices going into this module.

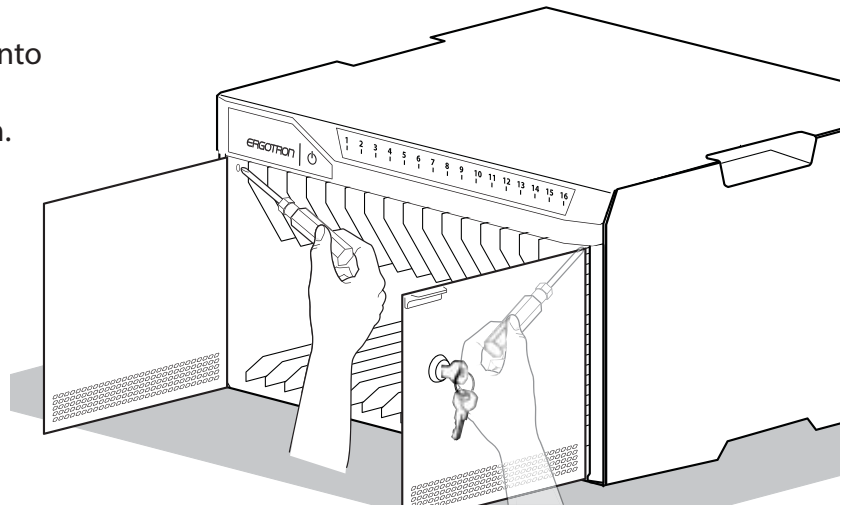


- 9** Slide the drawer partially into the module. Reconnect the USB and DC cables and wrap the straps around the cables.

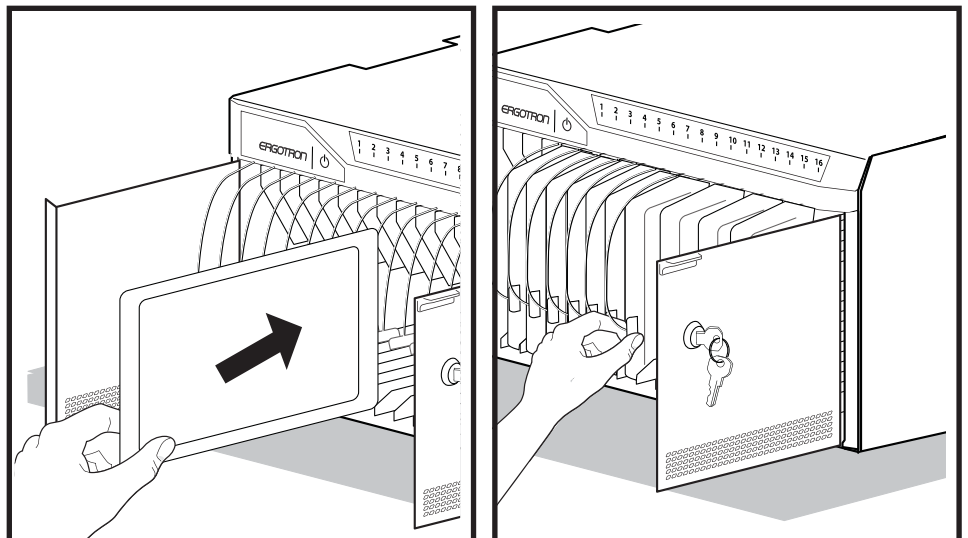


Charging Set-up

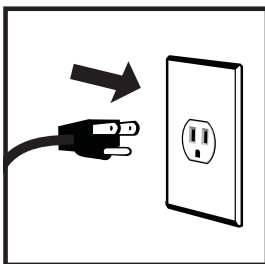
- 10** Slide the drawer completely into the module. Insert the screws removed in step 2 and tighten.



- 11** Insert iPad devices into module. Connect the tablet USB charging cables to the iPad devices.



12 Tablet Charging



To begin charging the tablets, plug in the Module power cord.

The power cord is used to turn the Module power on and off. Charging occurs whenever the cart power cord is connected UNLESS a Macintosh® or PC notebook USB cable is connected to the cart for syncing.





Tablet Syncing instructions begin on the next page.



NOTE: the Module power cord acts as the connect/disconnect device switching power off and on.



LED - Indicators

Power Indicator – communicates sync and charge status with the following signals:

-  **Off** = **No power to the module.**
-  **On - solid** = **iPad devices are charging.**
-  **On - slow blink** = **Computer is plugged into auxillary USB outlet and iPad device are ready to sync or are syncing.**
-  **On - fast blink** = **Fault Status. Please make sure all cables are seated correctly within cable drawer and cart is operating within specified operating temperature. Contact Ergotron Customer Support if problem continues.**

Optional Feature


Individual Status Indicators (ISI) – sequentially numbered LEDs corresponding to each tablet in the module:

-  **Green** = **Fully charged.**
-  **Amber** = **Charging in progress.**

 **NOTE:** if module is syncing all ISIs will be green.

When used with the iPad (1st generation) and iPad 2, the ISI lights will continue to stay lit showing the color green indefinitely after the unit is completely charged. When used with an iPad mini, an iPad with Retina Display (4th generation), or an iPad 3 and iOS 6.0 or later, the ISI will stay lit for approximately 15 minutes after the unit is completely charged. At this time, the iPad will turn off to conserve battery life, so the ISI will turn off also.

Syncing

 **NOTE:** complete the Tablet Charging instructions explained on the previous pages before starting the Syncing Instructions. iPad devices should be charged at least 50% before starting the syncing process.

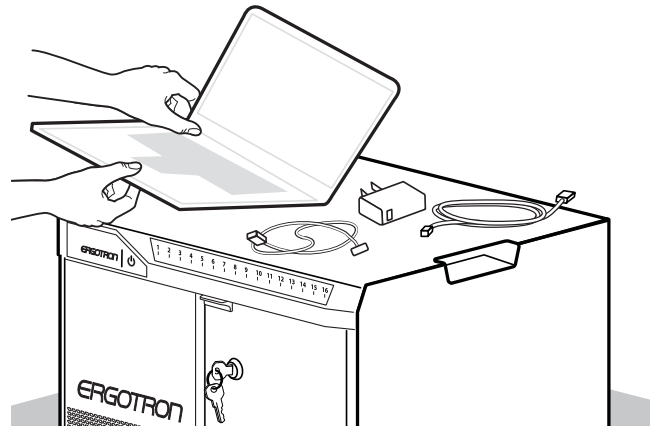
The iPad devices will mount as USB devices when the included USB cable is connected to a host notebook via the USB port on the exterior of the module.

Apple iPad or iPod touch® devices will sync to a host notebook using iTunes®. If the Macintosh or PC notebook power is on, and the notebook is running iTunes or Apple Configurator, the devices will sync to the notebook automatically when the USB cable is connected from the notebook to the USB port on the exterior of the module.

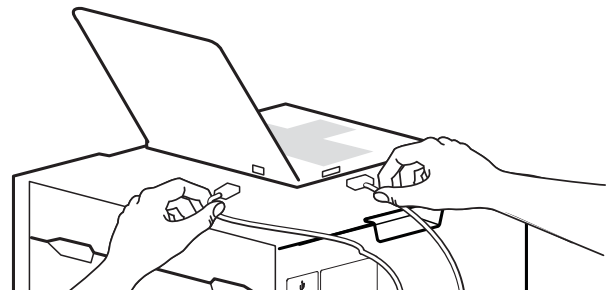
 Please see included separate instructions for specific setup of iTunes and your Apple devices.

Syncing

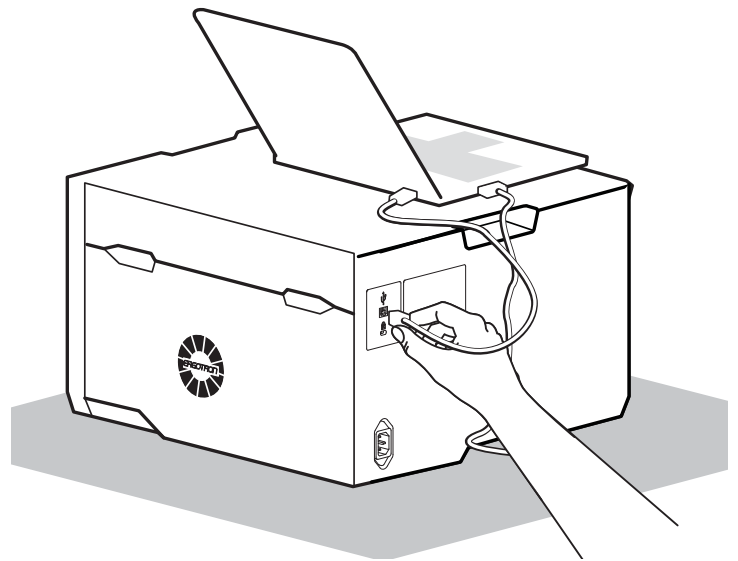
- 1 Place your notebook, power adaptor and a USB cable on the module work top.



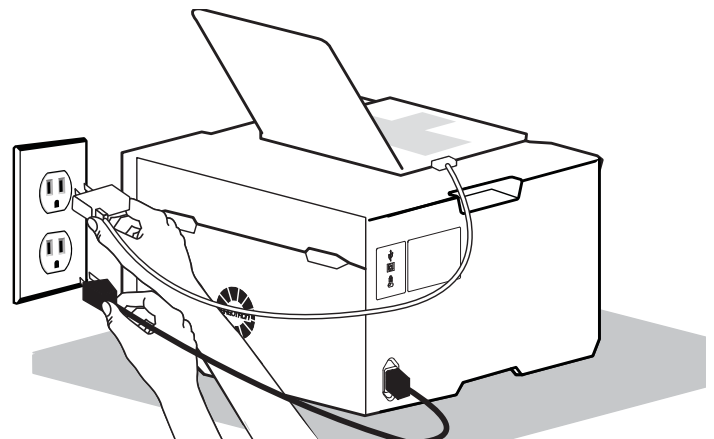
- 2 Plug the USB and power adaptor cables into the notebook.



- 3 Connect the notebook USB cable to the port on the side of the module.




- 4 Connect the notebook power cord to a wall outlet. Switch on the notebook power to begin syncing.




Cleaning and Maintenance


Module and Equipment Electric Safety

There are specific risks associated with the use of equipment having power cables. You must be aware of, and avoid these risks when the Module is located in close proximity to children.

 **WARNING:** Failure to observe the following Electrical Safety notices can result in fire or death by electric shock.

 Electrical cables can be hazardous. Misuse can result in fire or death by electrical shock.

- Double Pole / Neutral Fusing
- Inspect power cables thoroughly before each use.
- Do not use cables that are damaged.
- Insert the plug completely into the outlet.
- Grasp the plug to remove from the outlet.
- Do not unplug by pulling on the cable.
- Do not use excessive force to make connections.
- Do not plug the cable into an extension cable.
- Do not remove, bend or modify any metal prongs or pins of cable.
- Do not drive, drag or place objects over the cable.
- Do not walk on the cable.
- Avoid overheating. Uncoil the cable and do not cover it with any material.
- Do not run cable through doorways, holes in ceilings, walls or floors.


 Keep the Module away from water.


- Do not use it when wet.
- Do not place the Module in close proximity to flammable liquids or gases.

 The module power cord acts as the connect/disconnect device switching power off and on.


Module Use Safety

There are specific risks associated with the use of Module when moving or stationary (for charging or storage). You must be aware of, and avoid these risks when the Module is located in close proximity to children.

 **WARNING:** Failure to observe the following Module Use Safety notices may result in serious personal injury or equipment damage.

 Do not allow children to move the Module.

- Do not allow anyone to sit, stand, or climb on the Module.
- Do not block the fans and vent openings. To prevent overheating, leave at least 127 mm (5-inch) clearance around fans and vents.


 The Module is designed to be used indoors only.

- Do not use the Module to transport or store equipment other than what has been noted in this guide.
- Do not use the Module to store liquids or cleaning supplies.
- Do not place heavy objects on the Module surface or shelf.
 - The maximum weight capacity of the top surface is 25 lb (11.3 kg).
 - The maximum weight capacity of the shelf is 35.2 lb (16 kg).

Moving the Module

Before moving the Module:

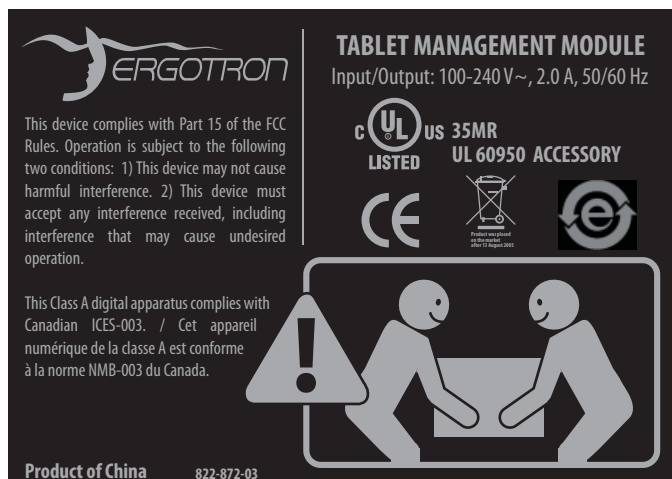
1. Disconnect the power cables from the wall.
2. Make sure the cables are wrapped and secure.
3. Close and lock the doors.
4. Remove notebook and other items from the top work surface.

 Two people are required to lift the module; use caution when lifting the Module to prevent muscle strain.

Module Placement

Observe these safety alerts for times when the Module is stationary:

- Do not place Module on an object or surface that cannot support its weight: 28.5 lbs (13 kg).
- Do not run cables through doorways, holes in ceilings, walls, or floors.
- Do not run cables across hallways, classrooms, or other areas where they will be walked on.
- Do not leave Module unattended in areas where children have access.
- Keep Module doors closed and locked whenever it is unattended or parked for charging or storage.


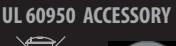





ERGOTRON


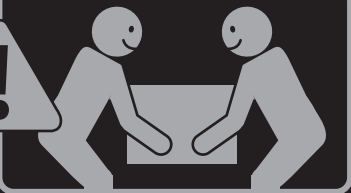
This device complies with Part 15 of the FCC Rules. Operation is subject to the following two conditions: 1) This device may not cause harmful interference. 2) This device must accept any interference received, including interference that may cause undesired operation.

This Class A digital apparatus complies with Canadian ICES-003. / Cet appareil numérique de la classe A est conforme à la norme NMB-003 du Canada.

TABLET MANAGEMENT MODULE
Input/Output: 100-240 V~, 2.0 A, 50/60 Hz

 **US 35MR LISTED**
 **UL 60950 ACCESSORY**

Product of China 822-872-03

Specifications

This device complies with Part 15 of the FCC Rules. Operation is subject to the following two conditions: 1) This device may not cause harmful interference. 2) This device must accept any interference received, including interference that may cause undesired operation. This Class A digital apparatus complies with Canadian ICES-003. / Cet appareil numérique de la classe A est conforme à la norme NMB-003 du Canada.

Single Desktop Module dimensions

18.3 W x 16.2 D x 10.4 in H
(46.5 x 41 x 26.4 cm)

Single Desktop Module weight (w/o equipment)

28.5 lb (13 kg)

Single Desktop Module Rated weight capacity

Top Work Surface 25 lb (11.3 kg)

Accommodates maximum tablet size

Individual tablet dimensions (including cover):
up to 10.8 H x 7.7 W x 0.95 in D (27.4 x 19.6 x 1.3 cm)
Individual tablet weight: up to 2.2 lb (1 kg)

LED status indicators (ISI) - Optional feature

Lights indicate power status and syncing activity
16 Unit Desktop Module 16 LED lights

Cooling/ventilation

One 5-volt DC continuous operation fan in each module

Shipping dimensions

21.2 W x 18.6 D x 12.8 in H (53.8 x 47.3 x 32.5 cm)

Shipping weight

33.5 lb (15.0 kg)

Power System

100-240 V~, 2.0A, 50/60 Hz

Environmental

Temperature range:

Operating 0° to 30°C (32° to 86°F)
Storage -40° to 60°C (-40° to 140°F)

Relative humidity (maximum):

Operating 10%–90% (non condensing)
Storage 5%–95% (non condensing)

Altitude (maximum): 2000 m (6,562 ft)

Compatibility:

Made for

iPhone 5, iPhone 4S, iPhone 3GS, iPod touch (5th generation), iPod touch (4th generation), iPod touch (3rd generation), iPad mini, iPad with Retina Display (4th generation), iPad (3rd generation), iPad 2, iPad

Service and Warranty

For Service on the Ergotron Tablet Managing Module

for iPad

Visit www.ergotron.com



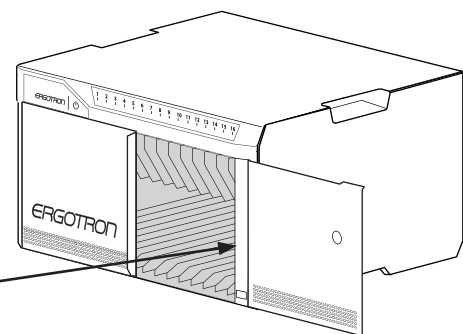
NOTE: When contacting customer service, reference the serial number.

www.ergotron.com

MADE IN CN
12-345-678



1234567-1234



© 2013 Ergotron, Inc.
All rights reserved.

While Ergotron, Inc. makes every effort to provide accurate and complete information on the installation and use of its products, it will not be held liable for any editorial errors or omissions (including those made in the process of translation from English to another language), or for incidental, special or consequential damages of any nature resulting from furnishing this instruction and performance of equipment in connection with this instruction. Ergotron, Inc. reserves the right to make changes in the product design and/or product documentation without notification to its users. For the most current product information, or to know if this document is available in languages other than those herein, please contact Ergotron. No part of this publication may be reproduced, stored in a retrieval system, or transmitted in any form or by any means, electronic, mechanical, photocopying, recording or otherwise without the prior written consent of Ergotron, Inc., 1181 Trapp Road, Eagan, Minnesota, 55121, USA Patents Pending and Patented U.S. & Foreign. Ergotron is a registered trademark of Ergotron, Inc.

Americas Sales and Corporate Headquarters

St. Paul, MN USA
(800) 888-8458
+1-651-681-7600
www.ergotron.com
sales@ergotron.com

EMEA Sales

Amersfoort, The Netherlands
+31 33 45 45 600
www.ergotron.com
info.eu@ergotron.com

APAC Sales

Tokyo, Japan
www.ergotron.com
apaccustomerservice@ergotron.com

Worldwide OEM Sales

www.ergotron.com
info.oem@ergotron.com